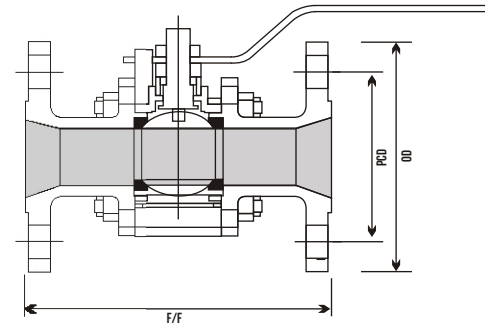
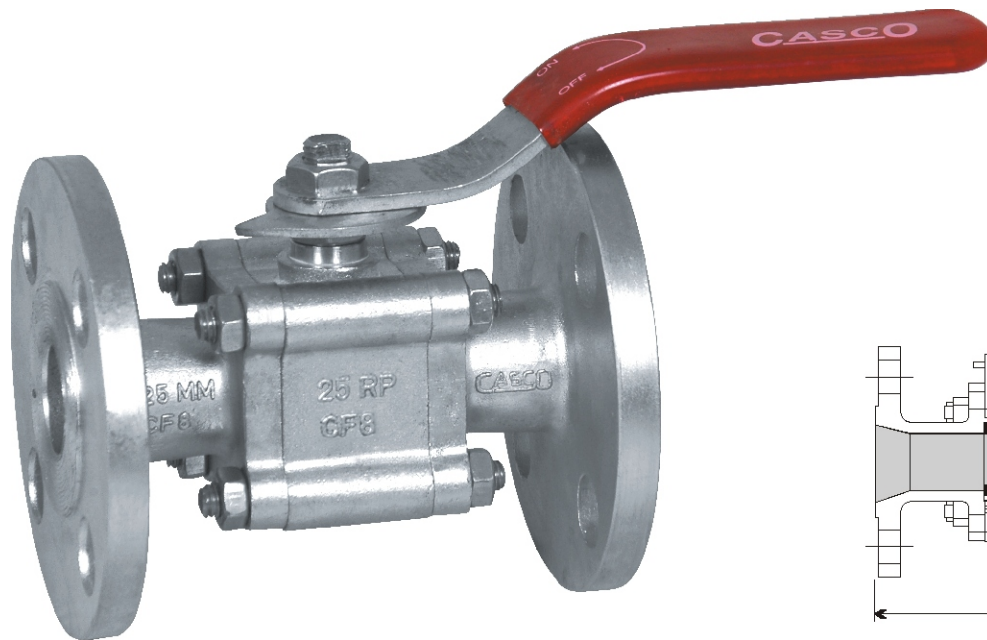




3 Piece Flange End Reduce Bore Ball Valve



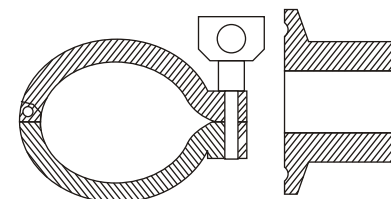
Features		Material Specifications		
DESIGN STD	AS PER BS 5351	1	BODY	CF8M, CF8, CF3M, CF3, WCB ETC.
FACE TO FACE	AS PER ASME B 16.10	2	SIDE PIECE	CF8M, CF8, CF3M, CF3, WCB ETC.
FLANGE END	AS PER ASME B 16.5	3	BALL	SS 316., SS 304, SS 316L, 304L ETC.
TESTING STD	AS PER BS 5146, ISO 5208	4	SEAT	PTFE, GLASS OR CARBON PTFE ETC.

Class	150 #			300 #		
Size	F/F	PCD	OD	F/F	PCD	OD
15	108	60.5	89	140	67	95
20	117	70	98.5	152	83	117
25	127	79.5	108	165	89	124
40	165	98.5	127	191	114	156
50	178	120.5	152.5	216	127	165
65	190	140	178	241	149	190
80	203	152.5	191	283	168	210
100	229	190.5	229	305	200	254

Triclover Clamp



■ Size : 1/2" to 4" ■



Material Specifications		
1	CLAMP	CF8M, CF8, CF3M, CF3 ETC.
2	WING NUT	CF8M, CF8, CF3M, CF3 ETC.
3	PIN	SS 316., SS 304, SS 316L, 304L ETC.