



# Safety Relief Valves (Screwed End)



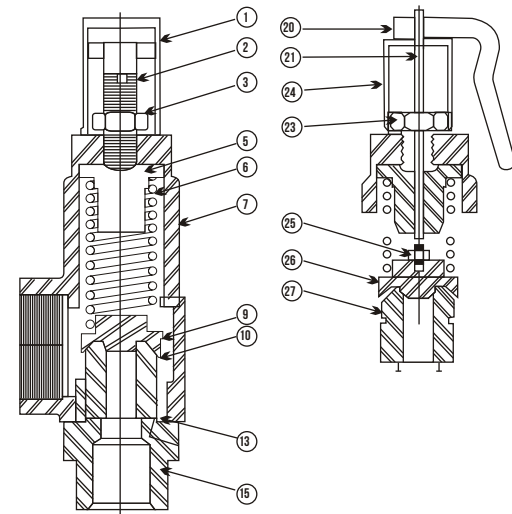
**Size: 1/2" to 2"**

## Pressure & Temperature Ratings

**MAXIMUM PRESSURE 20 KG/CM<sup>2</sup>**

**MAXIMUM TEMPERATURE 200° C**

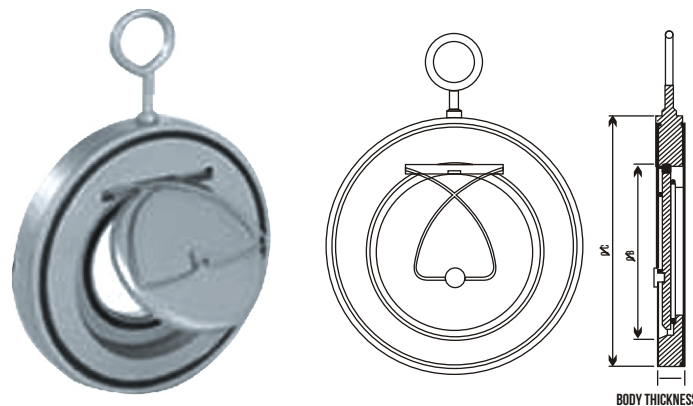
Sr. No.	Description	Material
01/24	CAP	WCB (I.C.)
02/23	ADJUSTMENT SCREW	SS 304
03	LOCKING NUT	SS 304
05	SPRING GUIDE	CF8
06	SPRING	SS 304/M.S.
07	BONNET BODY	WCB (I.C.)
09/26	PLUG DISC	CF8
10/27	HARD SEAT	CF8
15	SEAT FRAME	CF8
20	LEVER	WCB (I.C.)
21	LEFT STEM	SS 304
25	NUT JAM	SS 304



## Wafer Check Valve

Features		Material Specifications		
DESIGN STD	AS PER API 594	1	BODY	CF8M, CF8, CF3M, CF3, WCB ETC.
FACE TO FACE	MFG. STANDARD	2	DISC	CF8M, CF8, CF3M, CF3, WCB ETC.
END CONNECTOR	WAFER TYPE, LUG TYPE	3	TRIM	SS 316., SS 304, SS 316L, 304L ETC.
TESTING STD	AS PER BS 5146, ISO 5208	4	SEAT	EPDM, VITON, SS 304, SS 316

Details of Dimension			
Size	Thickness	B	C
40MM	17	22	80
50MM	19	30	95
80MM	19	52	127
100MM	19	70	153
150MM	19	115	215
200MM	29	158	270
300MM	38	230	380



## Dual Plated Check Valve

Class 150 #			
Size	ØA	ØD	C
50MM	46	105	60
65MM	60	124	67
80MM	74	134	73
100MM	98	172	73
150MM	148	218	68

Material Specifications		
1	BODY	CF8M, CF8, CF3M, CF3, WCB ETC.
2	SIDE FLAPPER	CF8M, CF8, CF3M, CF3, CA-15 ETC.

